



BW20-12F Specification

Version V1.0.0

Copyright ©2024

Content

1. Product overview	4
1.1. Characteristic	5
2. Main parameters	6
2.1. Static electricity requirement	6
2.2. Electrical characteristics	7
2.3. Wi-Fi RF performance	7
2.4. BLE RF performance	8
3. Appearance dimensions	9
4. Pin definition	11
5. Schematic diagram	13
6. Design guide	14
6.1. Circuit guidance of application	14
6.2. Recommend PCB package size	14
6.3. Antenna layout requirements	15
6.4. Power supply	15
6.5. GPIO	16
7. Storage conditions	17
8. Reflow welding curve diagram	17
9. Product Packaging Information	18
10. Contact us	18
Disclaimer and copyright notice	19
Notice	19
Important statement	20

1. Product overview

BW20-12F is a dual-band Wi-Fi + BLE SoC module developed by Ai-Thinker based on RTL8711 series chips, which supports dual-frequency (2.4 GHz or 5 GHz) 802.11a/b/g/n WLAN protocol and Bluetooth 5.0 protocol. The BW 20-12F integrates dual-core MCU, a ARM V8.1 (Cortex-M4F compatible) high-performance MCU with a maximum frequency of 330 MHz; a ARM V8M (Cortex-M0 compatible) low-power MCU.

The BW20-12F module has rich peripheral interfaces, including UART / GPIO / ADC / PWM / IIC / SPI / SDIO / IR / SWD / USB etc. It can be widely used in the Internet of Things (IoT), mobile devices, wearable electronic devices, smart home and other fields.

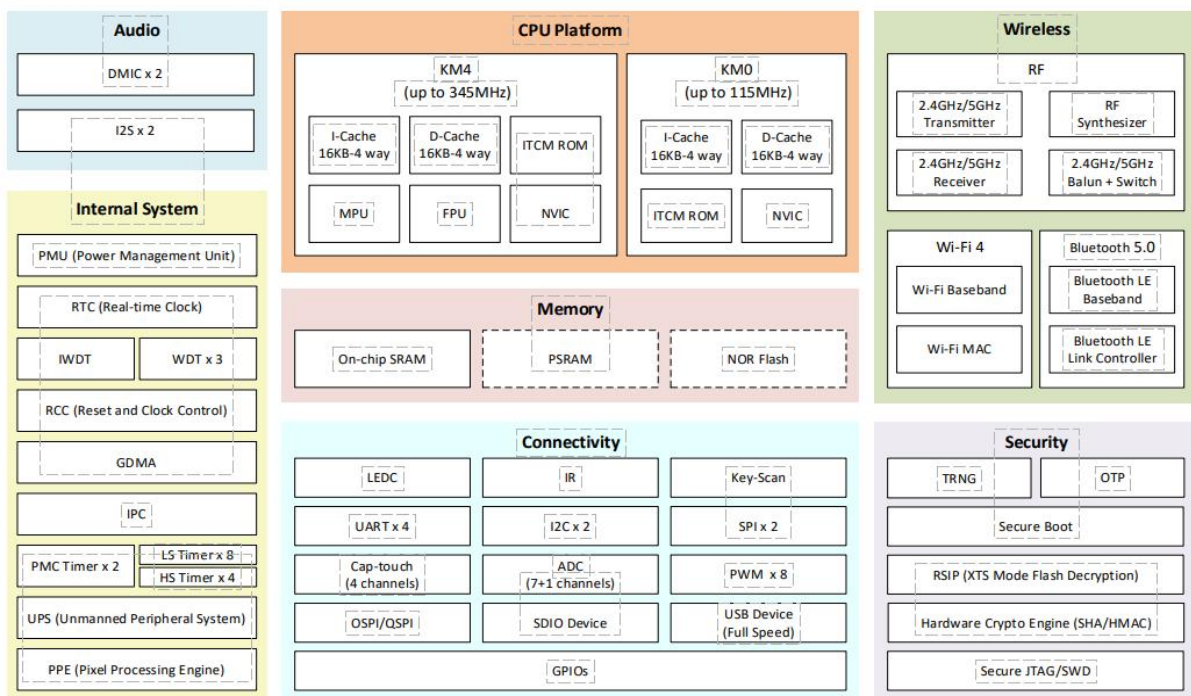


Figure 1-1 Block diagram

Figure 1 Chip Block Diagram

1.1. Characteristic

- Support for the 802.11a/b/g/n protocol
- Support for dual-frequency 2.4GHz or 5GHz
- Supports the HT20 / HT40 mode
- Support for Bluetooth 5.0
- Support for BLE Long Range
- The Bluetooth supports a high-power mode LE data length extension
- Support for link layer privacy
- Support for the hardware encryption engine Integrated dual-core MCU, up to 330 MHz
- Abundant interfaces, with 17 flexible IO ports
- Wi-Fi and Bluetooth share the same antenna
- Support secondary development, support programming in Linux and Windows environments
- Support for Arduino development

2. Main parameters

Table 1 Description of the main parameters

Model	BW20-12F
Package	SMD-22
Size	24*16*3.2(±0.2)MM
Antenna	on-board PCB antenna、IPEX connector (1st generation)
Frequency range	2400~2483.5MHz or 5180~5825MHz
Operating temperature	-40 °C~85 °C
Storage temperature	-40 °C~125 °C, <90%RH
Power supply	Voltage supply 3.0V~3.6V,typical value 3.3V. Current supply>500mA
Support interface	UART/GPIO/ADC/PWM/IIC/SPI/SDIO/IR/SWD/USB
Available IO	Default 17
UART rate	Default 115200bps
Bluetooth	BLE 5.0
SPI flash	Default 4MByte,Maximum support is 16MByte

2.1. Static electricity requirement

BW 20-12F module is electrostatic sensitive equipment, which requires special ESD precautions, and usually ESD protective devices should be added in use. Proper ESD handling and packaging must be used during the transportation, operation, and use of the BW 20-12F module. Do not touch the module by hand or use non-antistatic iron to damage the module.



Figure 2 ESD Anti-static diagram

2.2. Electrical characteristics

Table 2 Electrical characteristics table

Parameters	Condition	Min.	Typical value	Max.	Unit
Voltage supply	3V3	3.0	3.3	3.6	V
I/O	VIL	-	-	0.3*VDD	V
	VIH	-	0.65*VDD	-	V
	VOL	-	-	0.15*VDD	V
	VOH	-	-	0.85*VDD	V

2.3. Wi-Fi RF performance

Table 3 BLE RF performance

Description	Typical value			Unit
Frequency range	2400~2483.5 and 5180~5825			MHz
Output power				
Mode	Min. value	Typical value	Max.	Unit
11a mode, PA output power	-	18	-	dBm
11b mode, PA output power	-	19	-	dBm
11g mode, PA output power	-	18	-	dBm
11n mode, PA output power	-	17	-	dBm
Receiving sensitivity				
Mode	Min.value	Typical value	Max.	Unit
11b, 1Mbps	-	-99	-	dBm
11b, 11Mbps	-	-90	-	dBm
11a/g, 6Mbps	-	-94	-	dBm
11a/g, 54Mbps	-	-76	-	dBm
HT20 (MCS0)	-	-93	-	dBm
HT20 (MCS7)	-	-74	-	dBm
HT40 (MCS0)	-	-91	-	dBm
HT40 (MCS7)	-	-71	-	dBm

2.4. BLE RF performance

Table 4 BLE RF performance

Description	Typical value			Unit
Frequency range	2400 ~ 2484MHz			MHz
Output power				
Rate mode	Min.value	Typical value	Max.value	Unit
1Mbps	-	15	-	dBm
2Mbps	-	15	-	dBm
Receiving sensitivity				
Rate mode	Min.value	Typical value	Max.value	Unit
1Mbps @30.8%PER	-	-99	-	dBm
2Mbps @30.8%PER	-	-97	-	dBm

3. Appearance dimensions

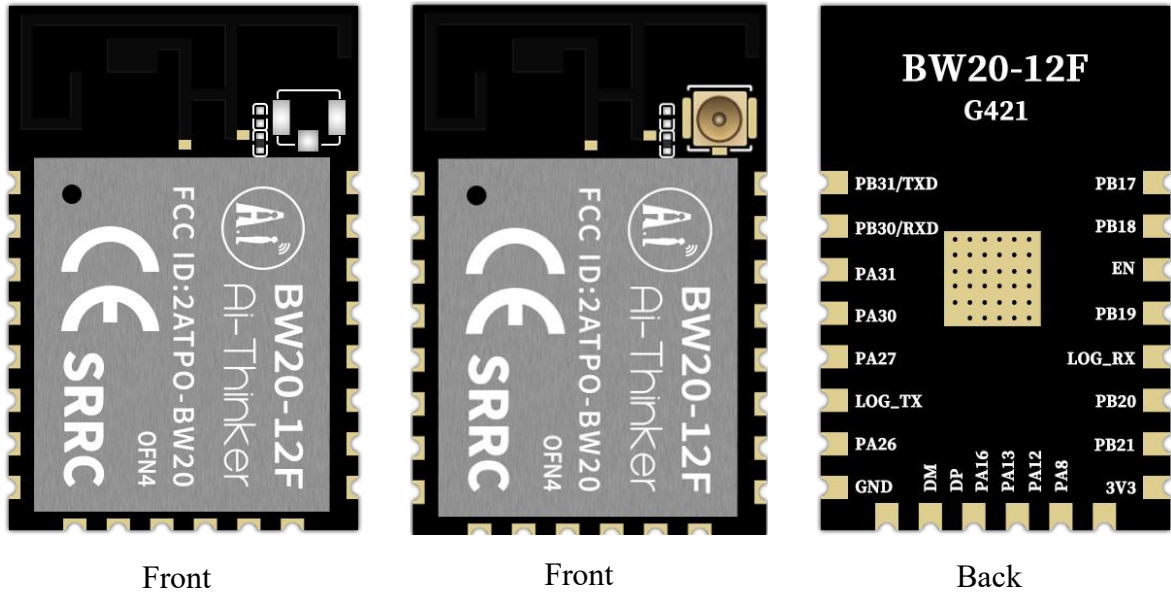


Figure 3 Appearance diagram (Rendering figure is for reference only,subject to physical objects)

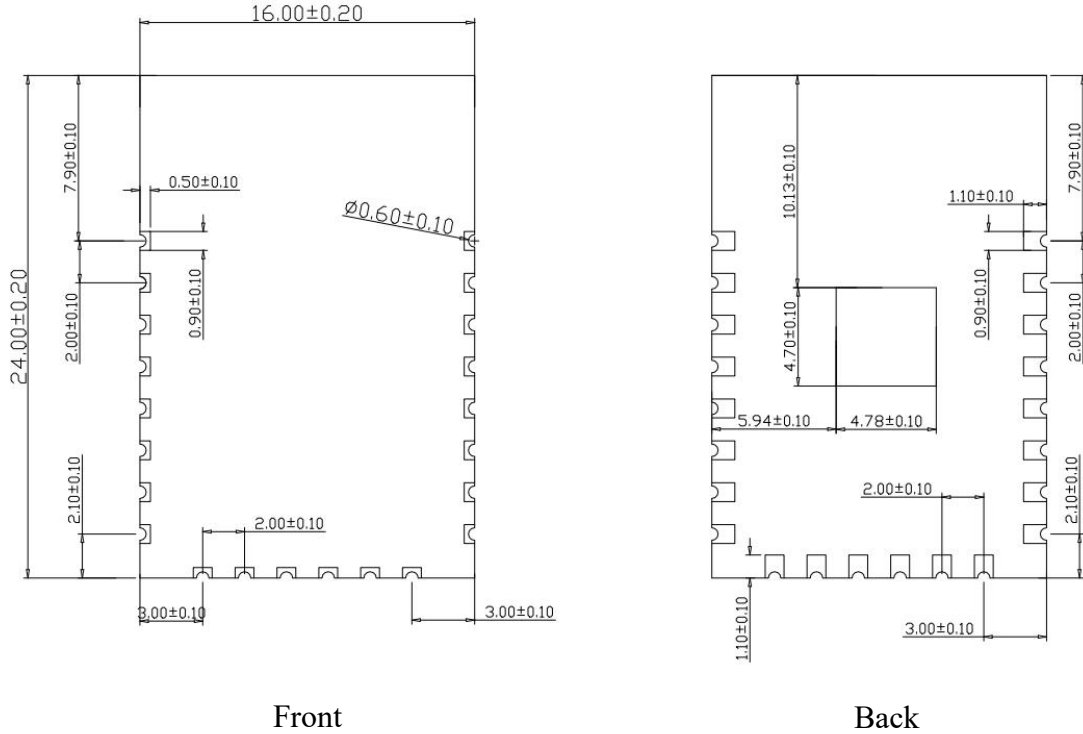


Figure 4 Size diagram

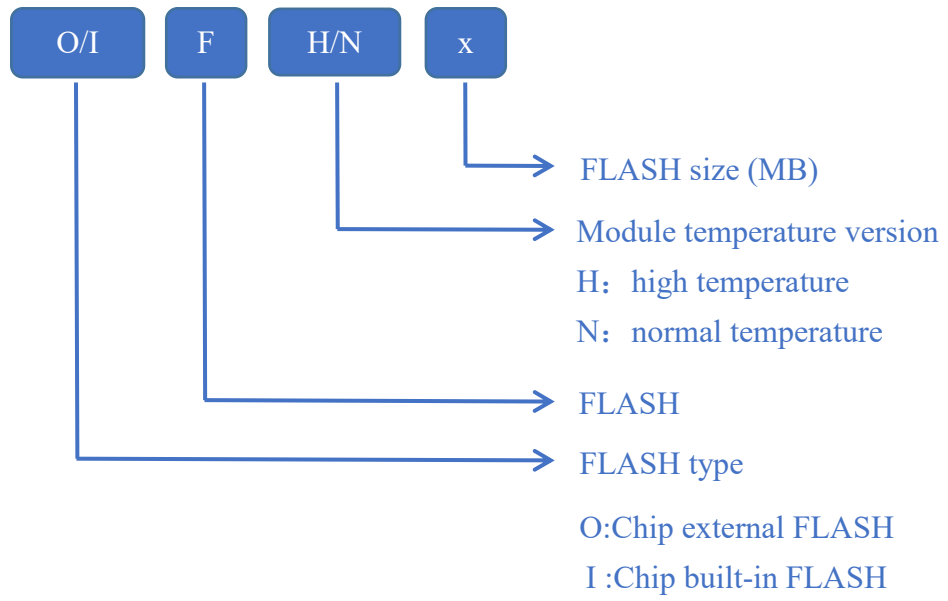


Figure 5 The screen cover information

4. Pin definition

BW20-12F is connected a total of 22 pins, as in the pin schematic diagram, and the definition of the pin function is shown in the following table.

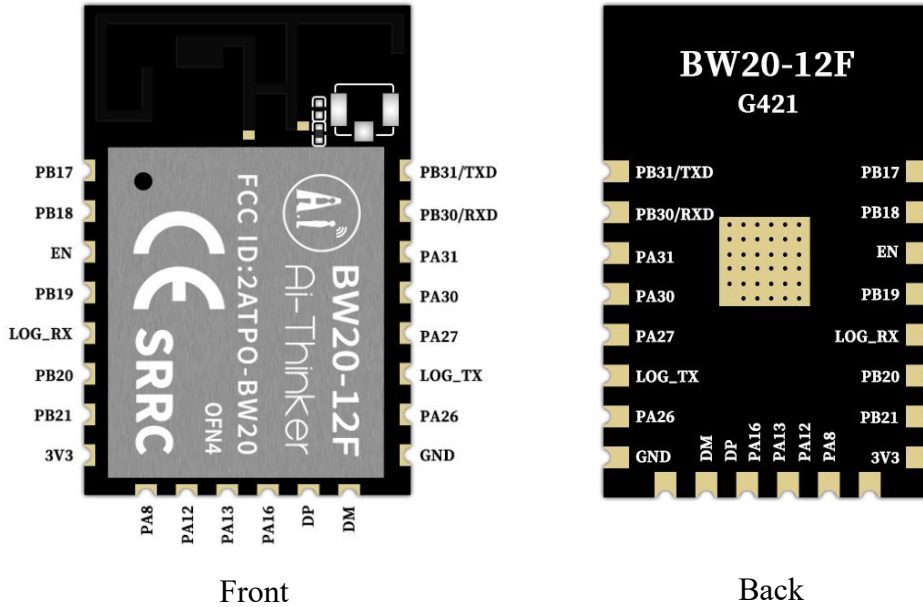


Figure 6 Pin diagram

Table 5 Pin function definition table

No.	Name	Function description
1	PB17	TOUCH2_ADC2/SPI1_CS/SD_D3
2	PB18	TOUCH1_ADC1/SPI1_CLK/SD_CMD
3	EN	Chips enable pin and pull up effectively
4	PB19	TOUCH0_ADC0/SPI1_MOSI/SD_CLK
5	LOG_RX	UART_LOG_RXD, Firmware download RX pin
6	PB20	SPI1_MISO/SWD_CLK/SD_D0
7	PB21	SPI1_CS/SWD_DAT/SD_D1
8	3V3	3.3V power supply (VDD) , the external power supply output current is recommended in above 500mA
9	PA8	PSRAM_DQ5/TIM8_TRIG
10	PA12	SPI0_CS/SD_D2/TIM9_TRIG
11	PA13	The default is not available and the IO is occupied by Flash inside the module. Please contact Ai-Thinker if need to use. SD_D2/external Flash this pin is NC

12	PA16	The default is not available and the IO is occupied by Flash inside the module. Please contact Ai-Thinker if need to use. SPI0_MISO/SD_CLK/external Flash this pin is NC
13	DP	PA29/SPI1_CLK/SD_CLK/FSDP
14	DM	PA28/SPI0_MISO/SD_CMD/FSDM
15	GND	Ground
16	PA26	SPI0_CLK/SD_D2
17	LOG_TX	UART_LOG_TXD, TX pin for download firmware, do not external pull down will enter Flash download mode
18	PA27	SPI0_MOSI/SD_D3
19	PA30	SPI1_MOSI/SWD_CLK/SD_D0, default function is SWD DATA, IC can be configured as PA31
20	PA31	SPI1_MISO/SWD_DAT/SD_D1, default function is SWD DATA, IC can be configured as PA31
21	PB30/RXD	UART 1_RXD, do not external pull down, external pull down will enter Load OTP settings
22	PB31/TXD	UART 1_TXD, do not external pull down, external pull down will enter the chip test mode

Note: 1. When LOG_TX is low level at the moment of power-on, the module enters the burning mode; when it is high level at the moment of power-on, the module starts normally and defaults is pull-up.

2. PA13 and PA16 are internally occupied in the external Flash version. At this time, these two IOs are unavailable and the pins are left floating.

3. PB30 / RXD Do not external pull down, external pull down will enter the Load OTP settings.

4. PB31 / TXD do not external down, external down will enter the chip test mode.

5. Schematic diagram

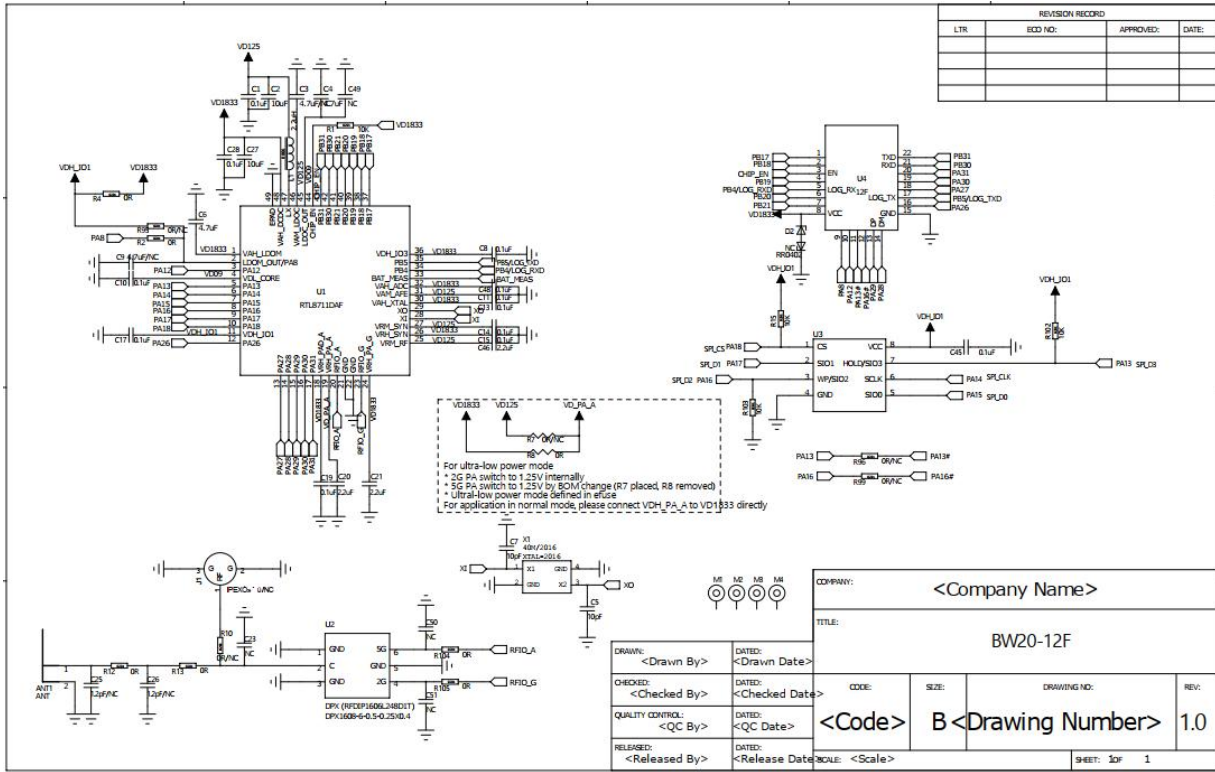


Figure 7 Schematic diagram

6. Design guide

6.1. Circuit guidance of application

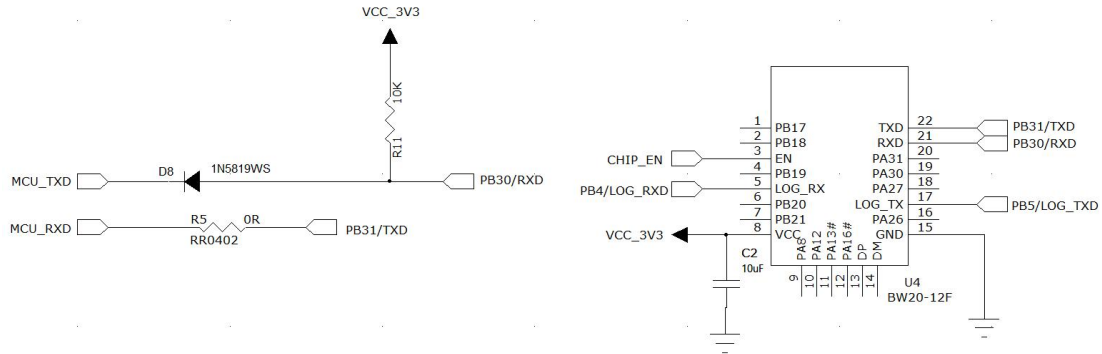


Figure 8 Circuit guidance of application

Note:

- LOG_TX is the starting control pin in normal operating mode at high level and burning firmware mode at low level. Internal chip default high level.

6.2. Recommend PCB package size

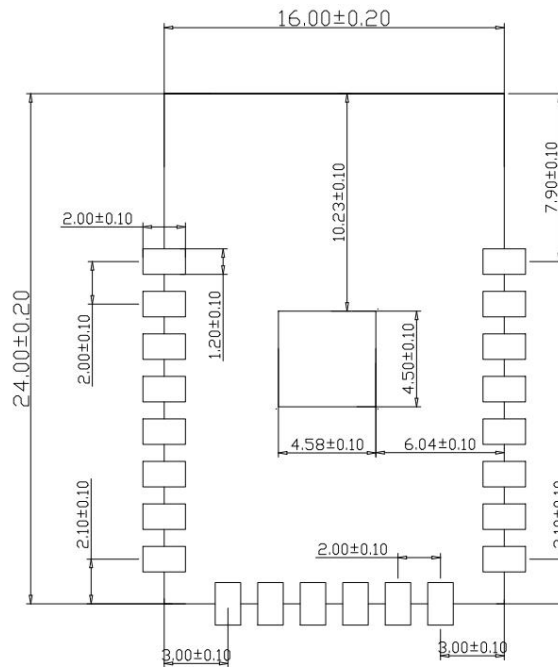


Figure 9 Recommend PCB package size (TOP view)

6.3. Antenna layout requirements

- In the installation position on the motherboard, the following two ways are recommended:

Scheme 1: put the module on the edge of the motherboard, and the antenna area extends of the edge of the motherboard.

Scheme two: put the module on the edge of the motherboard, which hollowed an area in the antenna position.

- In order to meet the performance of on-board antenna, metal parts are prohibited around the antenna, away from high-frequency devices.

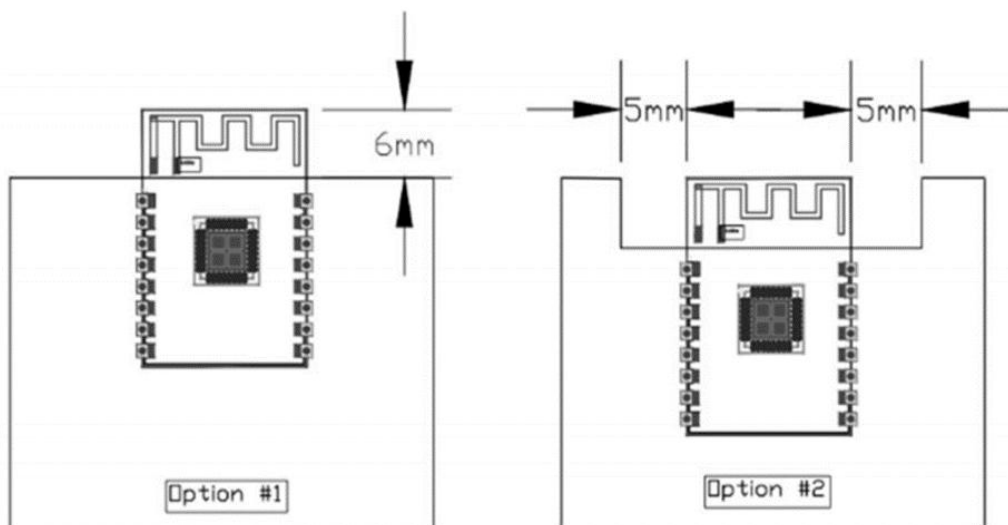


Figure 10 Schematic diagram of the antenna layout

6.4. Power supply

- Recommended 3.3V voltage, peak current above 500 mA.
- It is recommended to use LDO; if DC-DC, ripple control within 30 mV.
- The DC-DC power supply circuit suggests to reserve the position of the dynamic response capacitor, which can optimize the output ripple when the load change is large.
- 3.3V power interface, it is recommended to add ESD devices.
- If the power supply is boosted from 1.5V to 3.0V for more than 15 ms, add the voltage reset IC or use the wide voltage version Flash.
- During the repeated up and down process, if the voltage cannot be less than 0.3V, the voltage reset IC must be increased.

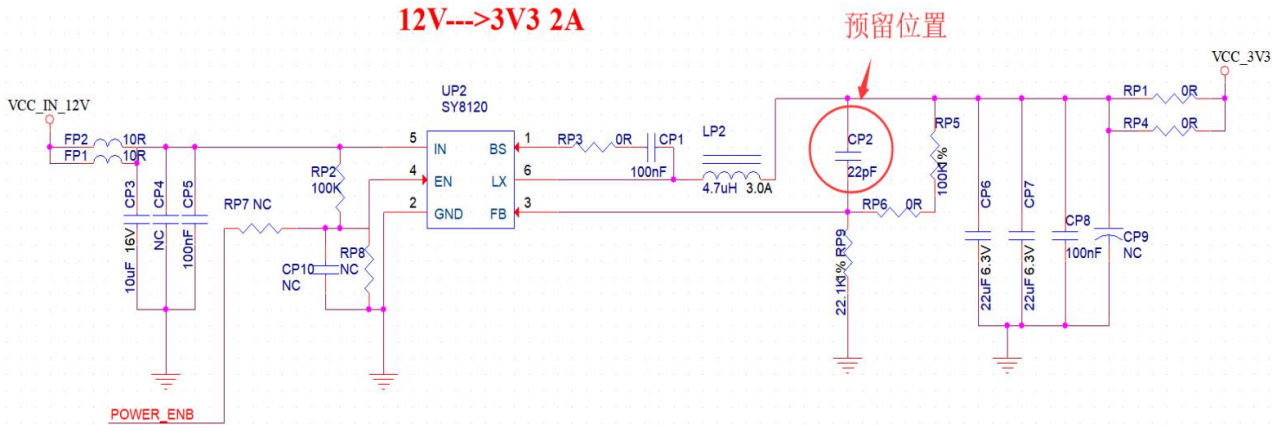


Figure 11 The DC-DC step-down circuit diagram

6.5. GPIO

- There are some IO ports on the periphery of the module. If you need to use it, it is recommended to connect a 10-100 ohm resistor in series with the IO port. This inhibits overshoot and makes both sides level more stable. It is helpful for EMI and ESD.
- For special I/O ports to be pulled up and down, refer to the usage instructions in the specifications, which may affect the module startup configuration.
- The IO port of the module is 3.3V. If the IO level of the main control and the module do not match, a level conversion circuit needs to be added.
- If the I/O port is directly connected to a peripheral port or terminals, for example, a pin row, reserve an ESD device near the terminal of the I/O cable.

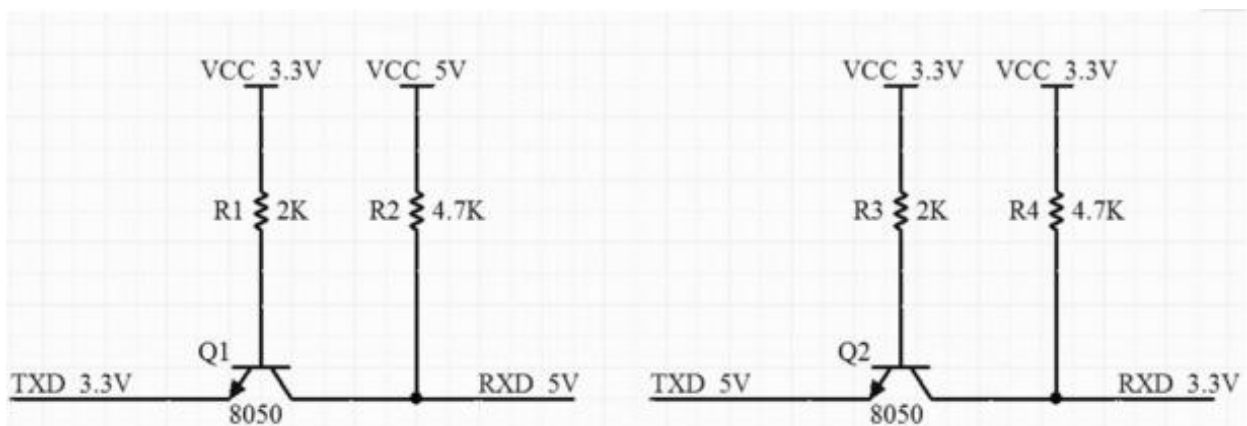


Figure 12 The level conversion circuit

7. Storage conditions

Products sealed in moisture-proof bags should be stored in a non-condensing atmosphere of $<40^{\circ}\text{C} / 90\% \text{RH}$.

The module has a moisture sensitivity rating of MSL 3.

After the vacuum bag is opened, it must be used within 168 hours at $25 \pm 5^{\circ}\text{C} / 60\% \text{RH}$, otherwise it needs to be baked before it can be put on line again.

8. Reflow welding curve diagram

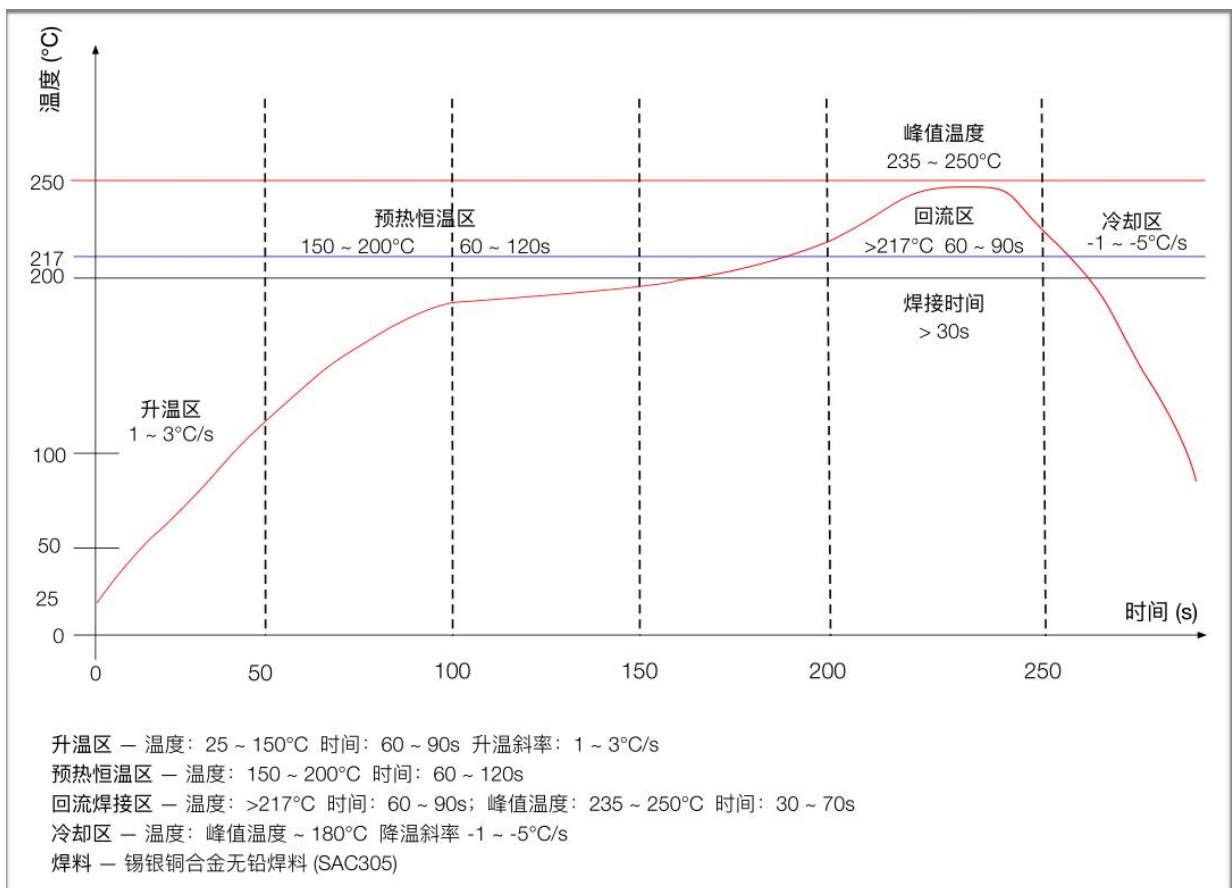


Figure 13 Reflow welding diagram

9. Product Packaging Information

BW20-12F module module was packaged in a tape, 800pcs/reel.As shown in the below image:



Figure 14 Package and packing diagram

10.Contact us

[Ai-Thinker official website](#)

[Office forum](#)

[Develop DOCS](#)

[LinkedIn](#)

[Tmall shop](#)

[Taobao shop](#)

[Alibaba shop](#)

[Technical support email: support@aithinker.com](mailto:support@aithinker.com)

[Domestic business cooperation: sales@aithinker.com](mailto:sales@aithinker.com)

[Overseas business cooperation: overseas@aithinker.com](mailto:overseas@aithinker.com)

Company Address: Room 403-405,408-410, Block C, Huafeng Smart Innovation Port, Gushu 2nd Road, Xixiang, Baoan District, Shenzhen.

Tel: +86-0755-29162996



WeChat mini program



WeChat official account

Disclaimer and copyright notice

The information in this article, including the URL address for reference, is subject to change without notice.

The document is provided "as is" without any guarantee responsibility, including any guarantee for merchantability, suitability for a specific purpose, or non-infringement, and any guarantee mentioned elsewhere in any proposal, specification or sample. This document does not bear any responsibility, including the responsibility for infringement of any patent rights arising from the use of the information in this document. This document does not grant any license for the use of intellectual property rights in estoppel or other ways, whether express or implied.

The test data obtained in the article are all obtained from Ai-Thinker's laboratory tests, and the actual results may vary slightly.

All brand names, trademarks and registered trademarks mentioned in this article are the property of their respective owners, and it is hereby declared.

The final interpretation right belongs to Shenzhen Ai-Thinker Technology Co., Ltd.

Notice

Due to product version upgrades or other reasons, the contents of this manual may be changed.

Shenzhen Ai-Thinker Technology Co., Ltd. reserves the right to modify the contents of this manual without any notice or prompt.

This manual is only used as a guide. Shenzhen Ai-Thinker Technology Co., Ltd. makes every effort to provide accurate information in this manual. However, Shenzhen Ai-Thinker Technology Co., Ltd. does not guarantee that the contents of the manual are completely free of errors. All statements and information in this manual And the suggestion does not constitute any express or implied guarantee.

Important statement

Ai-Thinker may provide technical and reliability data "as is" (including data sheets), design resources (including design for reference purposes), application or other design recommendations, network tools, security information and other resources (the "these resources") and without warranty without express or implied warranty, including without limitation, adaptability for a particular purpose or infringement of intellectual property rights of any third party. And specifically declares that it is not liable for any inevitable or incidental losses arising from the application or the use of any company products and circuits.

Ai-Thinker reserves the right to the information released in this document (including but not limited to the indicators and product description) and any changes to the Company without notice to automatically replace and replace all the information provided in the previous version of the same document number document.

These resources are available to skilled developers who design Ai-Thinker products. You will assume all responsibilities for the following: (1) select the appropriate optional products for your application; (2) design, verify, and run your application and products during the full life cycle; and (3) ensure that your application meets all corresponding standards, norms and laws, and any other functional security, information security, regulatory or other requirements.

Ai-Thinker authorizes you to use these resources only for the application of the Essence products described in this resource. Without the permission of Ai-Thinker, no unit or individual shall copy or copy part or all of these resources without authorization, and shall not spread them in any form. You are not entitled to use any other Principal or any third party intellectual property. You shall fully indemnify you for any claims, damages, costs, losses and debts incurred by the result of the use of these resources.

The products available by Ai-Thinker are subject to the terms of sales or other applicable terms attached to the products. Ai-Thinker may provide these resources does not extend or otherwise change the applicable warranty or warranty disclaimer for the product release.