



BU03 Specification

Version V1.1.0

Copyright ©2024

Content

1. Product Overview	4
1.1. Characteristic	5
2. Main parameters	6
2.1. Static electricity requirements	6
2.2. Electrical characteristics	6
2.3. RF Parameters	7
2.4. Power Consumption	7
3. Appearance dimensions	8
4. Pin definition	9
5. Schematic	12
6. Antenna parameters	13
6.1. Antenna test prototype	13
6.2. Antenna S parameter	13
6.3. Module Application Guidance Circuit	14
6.4. Recommended PCB package size	14
6.5. Antenna layout requirements	15
6.6. Power supply	15
6.7. GPIO	16
7. Storage conditions	17
8. Flow welding curve diagram	17
9. Product packaging information	18
10. Contact us	18
Disclaimer and copyright notice	19
Notice	19
Important Statement	20

1. Product Overview

BU03 is an ultra wideband (UWB) module designed by Ai-Thinker Co., Ltd. based on Decawave's DW3000 series chip. BU03 integrates onboard ceramic antenna, RF circuit, power management. BU03 can be used in bidirectional ranging, TDOA or PDOA positioning systems, positioning accuracy can reach 10 cm and data rates of up to 6.8 Mbps are supported. It can be widely used in precision positioning, coal mine positioning, hospital personnel positioning, storage positioning, various indoor positioning and other fields.

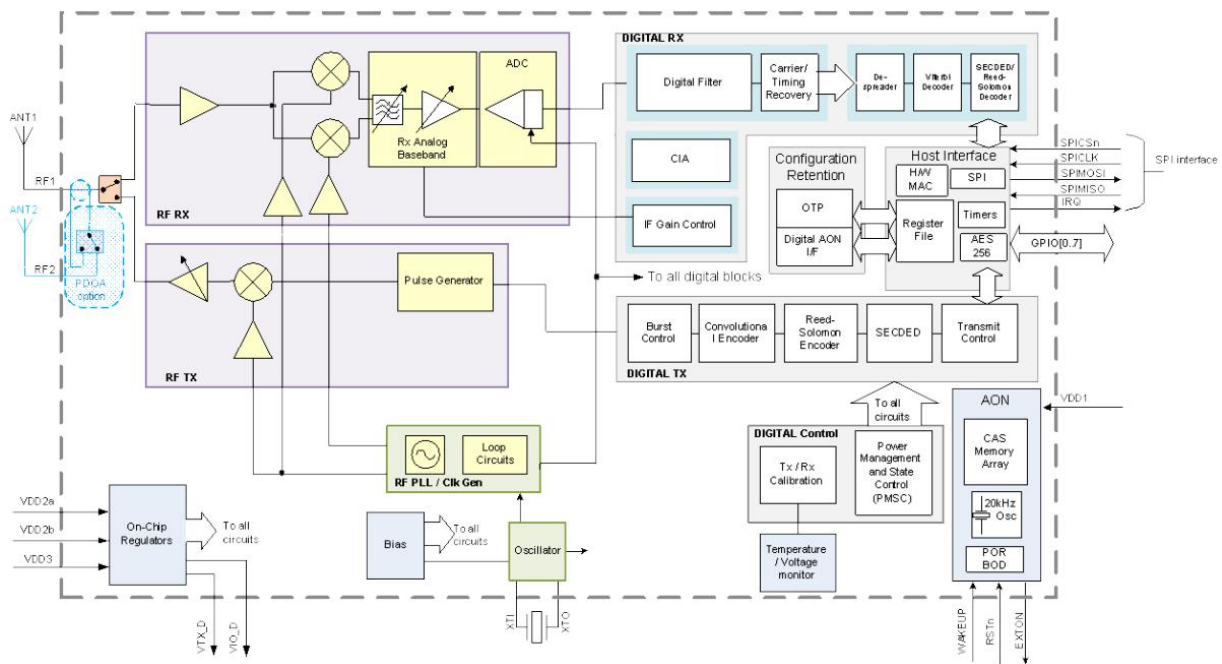


Figure 1 Main chip architecture diagram

1.1. Characteristic

- SMD-24 package
- Complies with IEEE 802.15.4-2015 UWB standard
- Complies with IEEE802.15.4z (BPRF mode)
- Supports channel 5 and channel 9
- Easy integration without RF design
- Integrated MAC support
- Extends the range of communication using the RTLS infrastructure
- Data rate 850 Kbps, 6.8 Mbps
- Supports bidirectional ranging and TDOA and PDOA positioning schemes
- Provides accurate positioning and data transmission
- Positioning accuracy 10 cm
- Supports high label density
- Integrated HW AES 256
- Support SPI interface
- 9 GPIO available
- Programmable adjustment of the transmit power
- The power supply voltage ranges from 2.5 V to 3.6 V
- Power consumption <1uA in sleep mode
- For button battery solutions

2. Main parameters

Table 1 Description of the main parameters

Model	BU03
Package	SMD-24
Size	23.0*13.0*2.5(±0.2)mm
Antenna	Onboard ceramic antenna
Center frequency	CH5(6489.5MHz),CH9(7987.2MHz)
Operating temperature	-40°C~ 85°C
Storage temperature	-40°C~ 125°C, < 90%RH
Power supply	Supply voltage 2.5V ~ 3.6V, typical value 3.3V. Power supply current $\geq 200\text{mA}$
Interface	SPI
IO	9

2.1. Static electricity requirements

BU03 is an electrostatic sensitive device, special precautions must be taken when handling it.



Figure 2 ESD anti-static diagram

2.2. Electrical characteristics

Table 2 Electrical characteristics table

Parameter	Name	Min.	Typical value	Max.	Unit
Supply voltage	VDD	1.7	3.3	3.6	V
Supply voltage	VCC	2.5	3.3	3.6	V
I/O	VIL	-	-	0.3*VDD	V
	VIH	-	0.7*VDD	-	V
	VOL	-	0.1*VDD	-	V
	VOH	-	0.9*VDD	-	V
	IMAX	-	-	-	10

2.3. RF Parameters

Table 3 UWB RF parameters

Description	Typical value	Unit
CH5 center frequency	6489.6	MHz
CH9 center frequency	7987.2	MHz
Channel bandwidth	499.2	MHz

2.4. Power Consumption

The following power consumption data is based on a 3.3V power supply and an ambient temperature of 25° C.

Table 4 Power consumption table

Mode	Min.	Typical value	Max.	Unit
CH5 transmitting at 0.85Mbps	-	18.77	-	mA
CH5 transmitting at 6.81Mbps	-	16.25	-	mA
CH9 transmitting at 0.85Mbps	-	26.43	-	mA
CH9 transmitting at 6.81Mbps	-	24.89	-	mA
CH5 receives at 0.85Mbps	-	44.17	-	mA
CH5 receives at 6.81Mbps	-	44.14	-	mA
CH9 receives at 0.85Mbps	-	53.97	-	mA
CH9 receives at 6.81Mbps	-	53.74	-	mA
Instantaneous start-up current	-	176	-	mA
Deep sleep	-	142	-	nA

3. Appearance dimensions

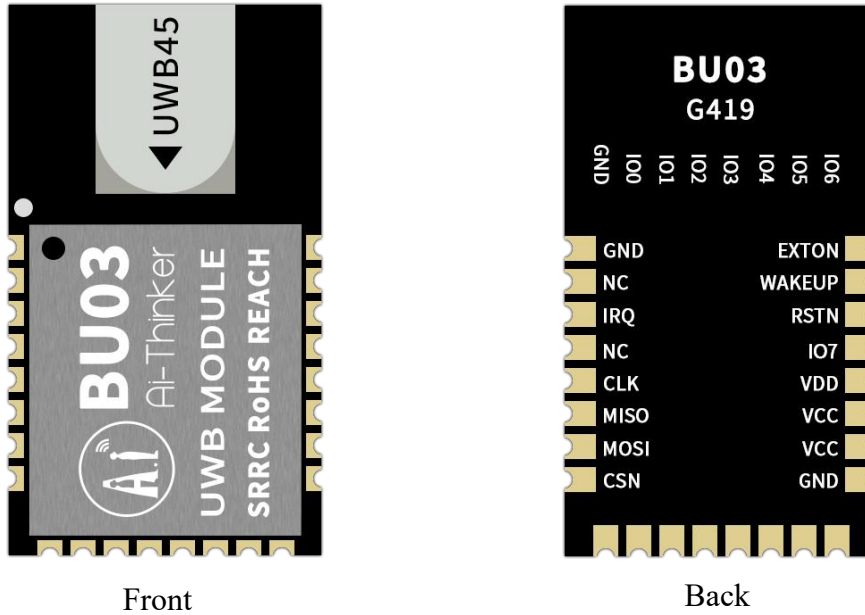


Figure 3 Appearance of the module(the rendering is for reference only, the actual object shall prevail)

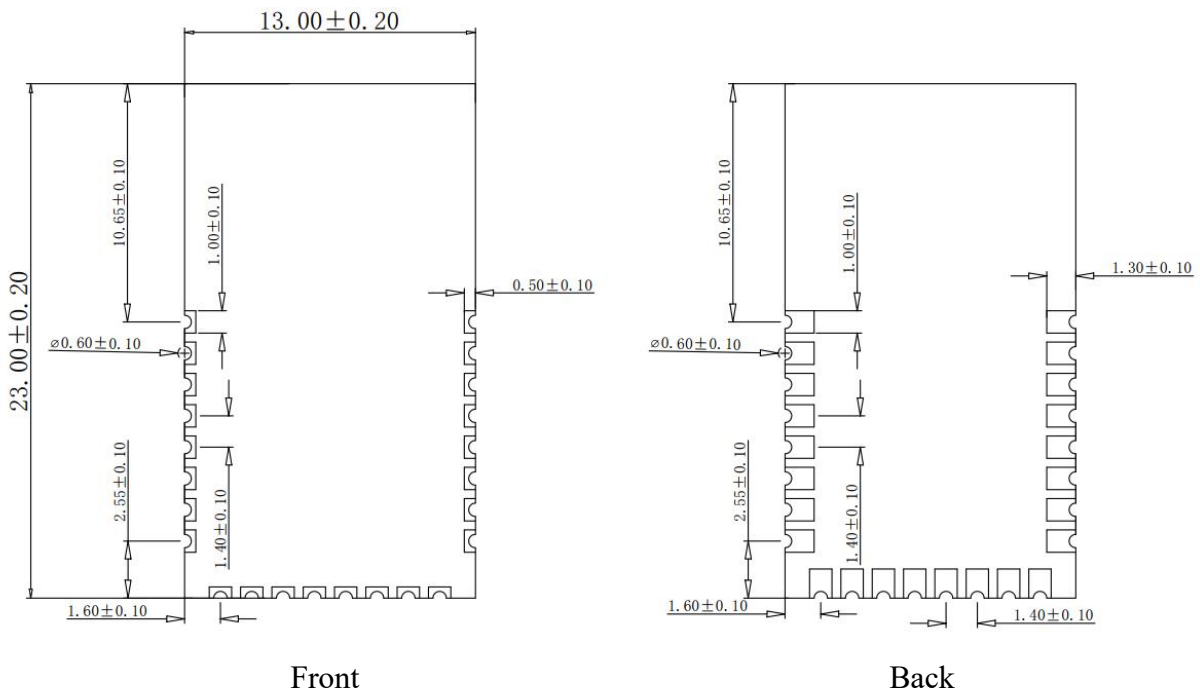


Figure 4 Module size diagram

4. Pin definition

BU03 module has a total of 24 pins, such as the pin schematic diagram, and the pin function definition table is the interface definition.

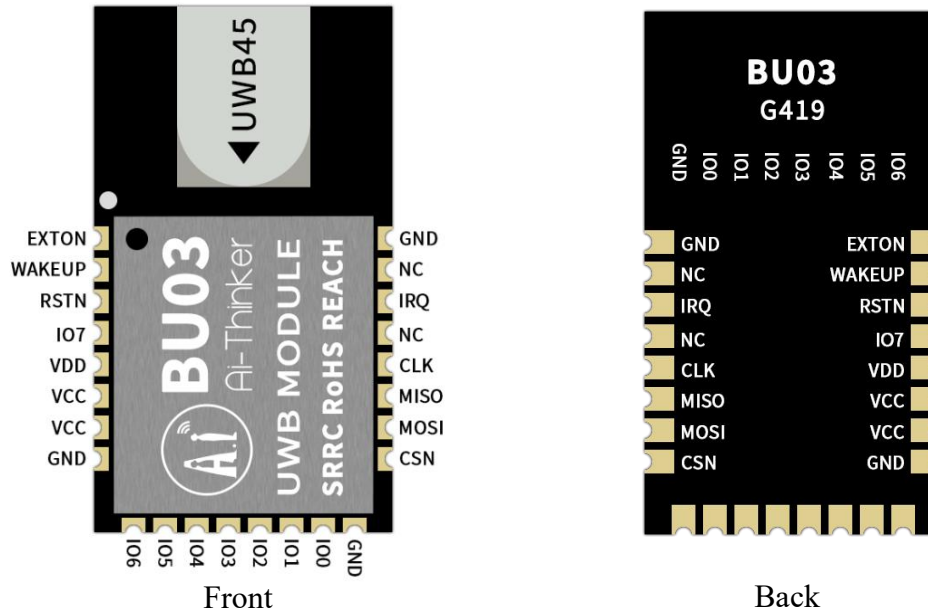


Figure 5 Schematic diagram of module pins

Table 5 Pin function definition table

No.	Name	Function	Power domains
1	EXTON	External devices are enabled. Takes effect during wake up and remains active until the device enters sleep mode. Can be used to control external DC-DC converters or other circuits that are not needed when the device is in sleep mode to minimize power consumption	VDD
2	WAKEUP	When activated as high state, the WAKEUP pin brings the DW3000 from sleep or DEEPSLEEP state into operational mode. If not in use, it should be grounded	VDD
3	RSTN	Chip reset pin, low active. Can be pulled down by an external leaky drive to reset the DW3000. Cannot be pulled up by an external power supply. The effective RSTn pin will reset the device completely, equivalent to a single power cycle.	VDD
4	IO7	GPIO7/SYNC, the SYNC input pin is used for external synchronization. When the SYNC input function is not used, this pin can be reconfigured as a universal I/O pin that is pulled	VDD
5	VDD	The power supply ranges from 1.8V to 3.6V. The recommended output current of the external power supply is more than 200mA	VDD

6	VCC	The power supply ranges from 2.5V to 3.6V. The recommended output current of the external power supply is more than 200mA	VCC
7	VCC	The power supply ranges from 2.5V to 3.6V. The recommended output current of the external power supply is more than 200mA	VCC
8	GND	Ground	GND
9	IO6	GPIO6/EXTRXE/SPIPHA, universal I/O pin. When powered on, it acts as a SPIPHA (SPI Phase Selector) pin to configure the SPI mode of operation. It can be configured to be used as EXTRXE (external receiver enabled). When the DW3000 is in receive mode, this pin becomes higher. When powered on, the pin will default to the universal I/O pin	VDD
10	IO5	GPIO5/EXTTXE/SPIPOL, universal I/O pin. When powered on, it acts as a SPIPOL (SPI Polarity Selection) pin to configure the SPI mode of operation. When powered on, the pin will default to the universal I/O pin. It can be configured to be used as EXTTXE (External transport enabled). When the DW3000 is in	VDD
11	IO4	GPIO4/EXTPA, universal I/O pin. It can be configured as an EXTPA (External Power Amplifier). This pin enables an external power amplifier	VDD
12	IO3	GPIO3/TXLED, universal I/O pin. It can be configured as a TXLED driver pin, which can be used to light up the LED after transmission.	VDD
13	IO2	GPIO2/TXLED, universal I/O pin. It can be configured to be used as an RXLED driver pin, which can be used to light the LED during the receive mode	VDD
14	IO1	GPIO1/SFDLED, universal I/O pin. It can be configured to be used as the SFDLED drive pin, which can be used to light the LED when the receiver finds the SFD (frame start separator)	VDD
15	IO0	GPIO0/RXOKLED, universal I/O pin. It can be configured to be used as an RXOKLED driver pin, which can be used to light up the LED when a good frame is received	VDD
16	GND	Ground	GND
17	CSN	SPICSn, SPI chip selection. The high-to-low conversion on the SPICSn signals the start of a new SPI transaction. SPICSn can also be used as a wake up signal to bring the DW3000 out of SLEEP or DEEPSLEEP.	VDD
18	MOSI	SPI data input	VDD
19	MISO	SPI data output	VDD
20	CLK	SPI clock input	VDD
21	NC	Empty pin	-

22	IRQ	GPIO8/IRQ, universal I/O pin. Interrupt request output from DW3000 to host processor. By default, IRQ is effectively high output, but can be configured to be low effective if desired. In order to operate correctly in both SLEEP and DEEPSLEEP modes, it should be configured to be active and highly effective. The pin will float in the SLEEP and DEEPSLEEP states and may cause a false interrupt on the host unless externally pulled down (100k Ω recommended). When the IRQ function is not used, the pin can be reconfigured as a general purpose I/O line	VDD
23	NC	Empty pin	-
24	GND	Ground	GND

Note: 1. All GPIO pins have a software-controlled internal pull-down resistor except for SPICS_n, which has a pull-up function to ensure safe operation when the input pin is not driven. The value of the internal resistor can vary with the VDD supply voltage, ranging from 10 k Ω (1.8V for VDD) to 30 k Ω .

5. Schematic

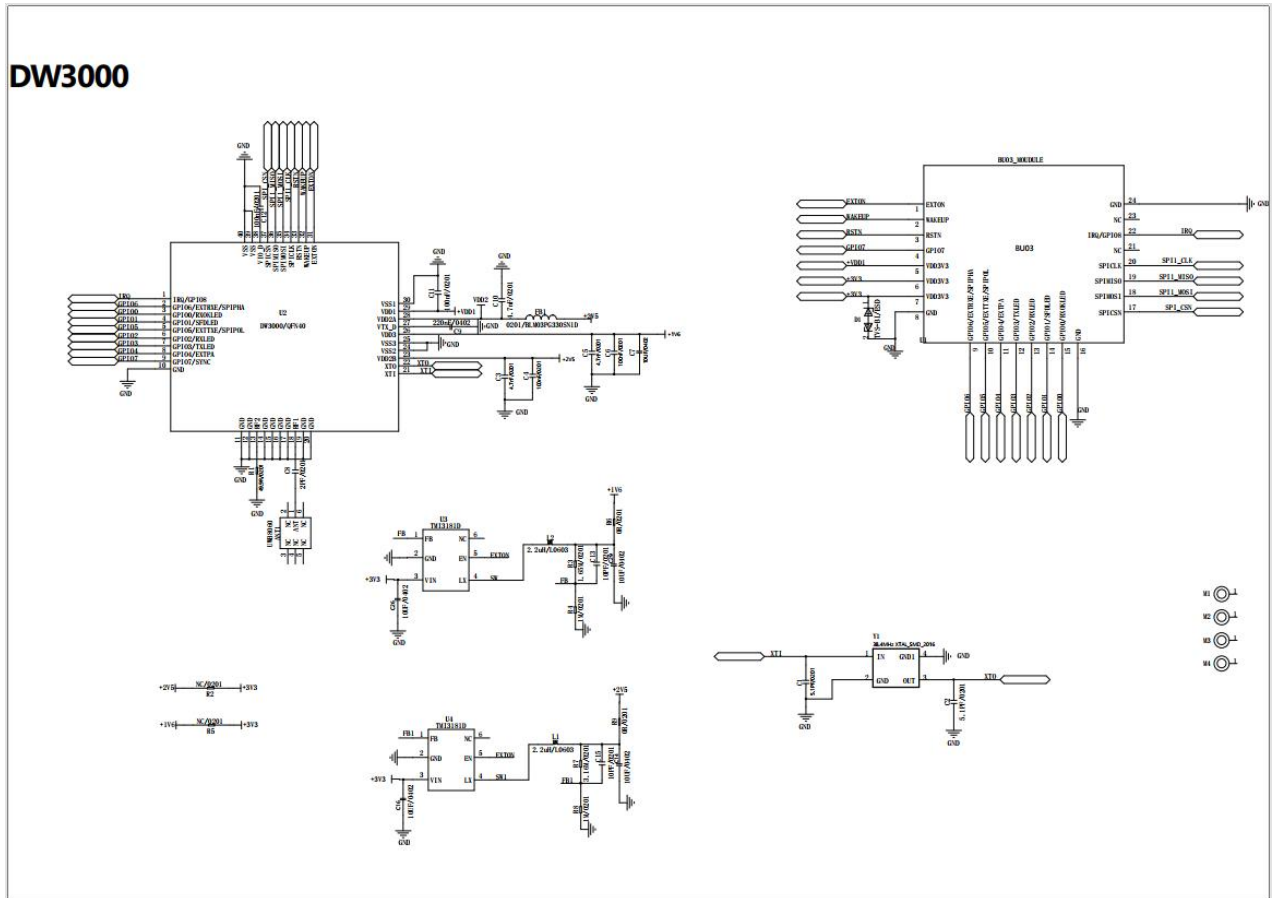


Figure 6 Module Schematic

6. Antenna parameters

6.1. Antenna test prototype

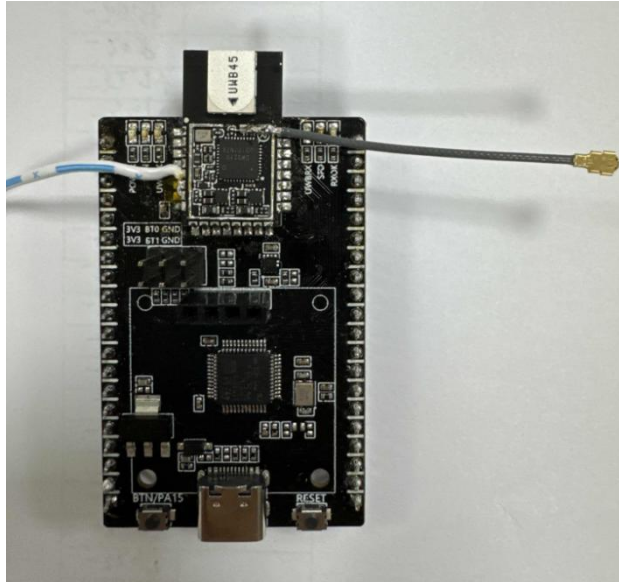


Figure 7 Schematic diagram of antenna test prototype

6.2. Antenna S parameter

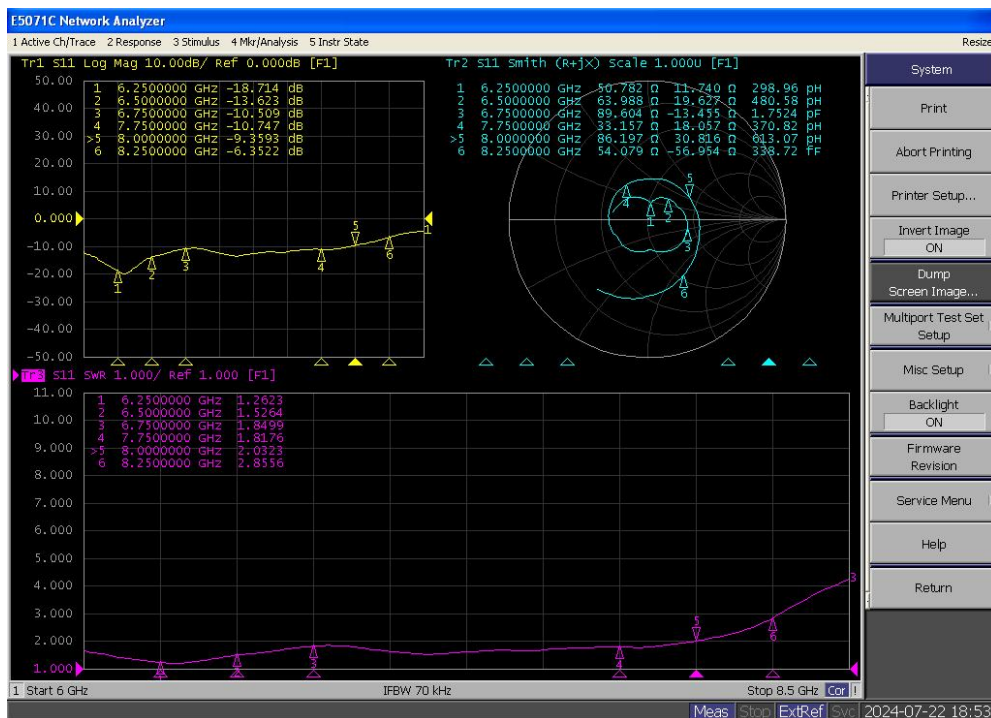


Figure 8 Antenna S parameters

6.3. Application Guidance Circuit

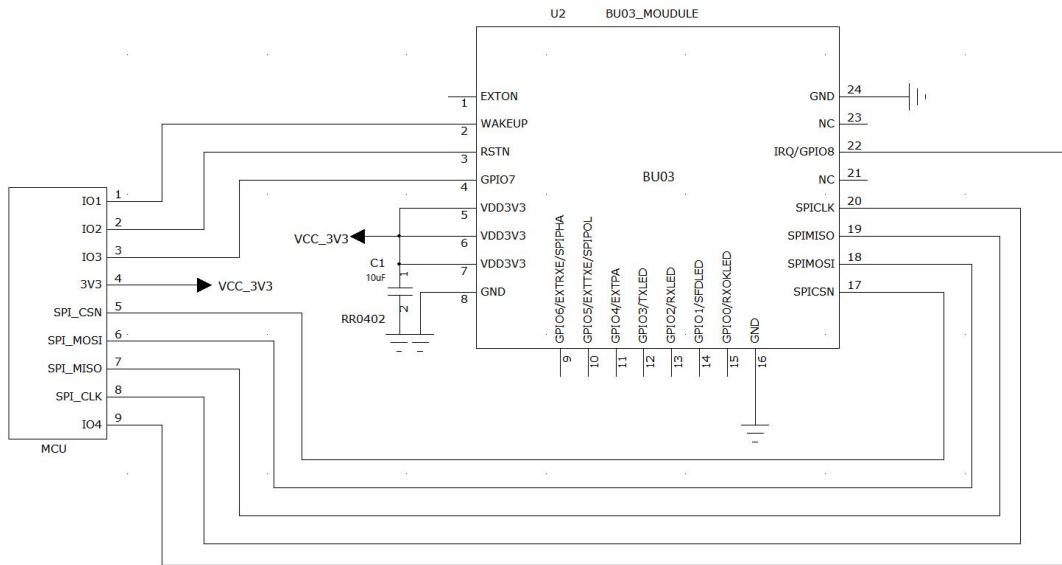


Figure 9 Application guidance circuit

6.4. Recommended PCB package size

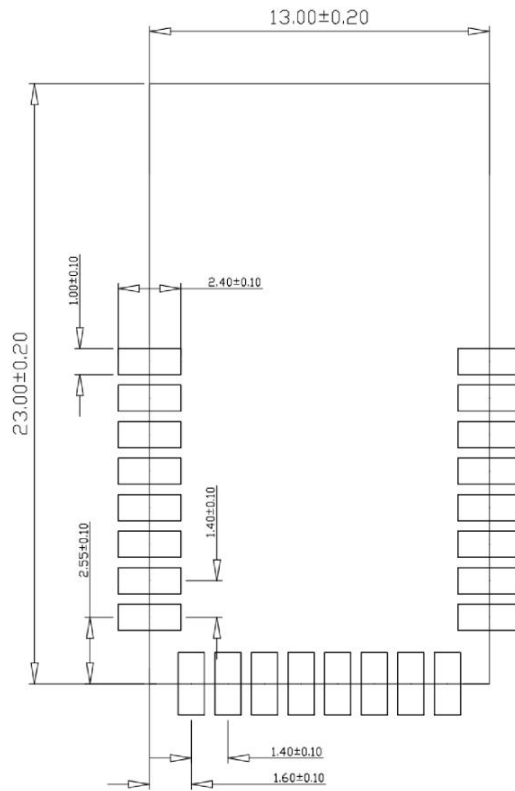


Figure 10 Recommended PCB package size

6.5. Antenna layout requirements

- Advised to use the following two methods to determine the installation position on the main-board:
 - Solution 1: Put the module on the edge of the motherboard, and the antenna area extends out of the motherboard edge.
 - Solution 2: Put the module on the edge of the motherboard, and the edge of the motherboard hollows out an area at the antenna position.
- To meet the performance of the onboard antenna, do not place metal parts around the antenna and keep it away from high-frequency devices.

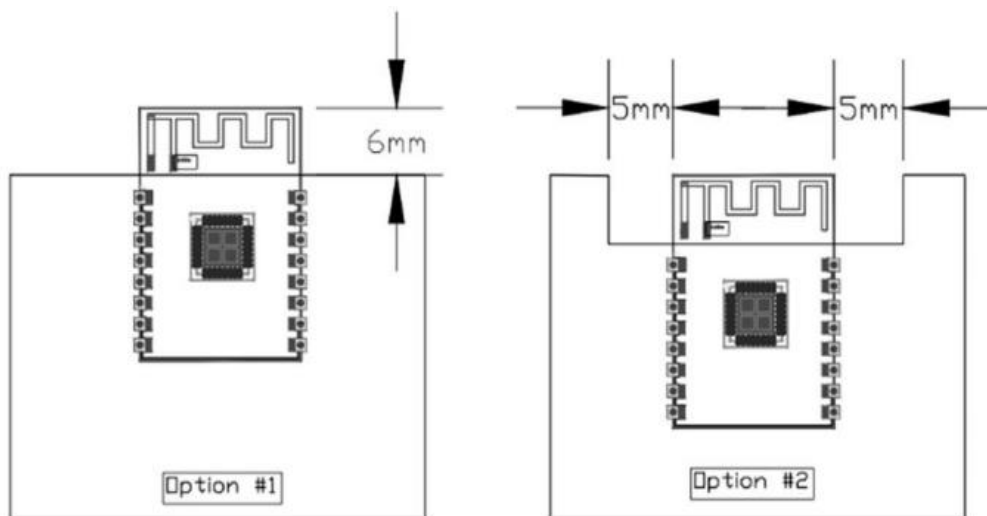


Figure 11 Schematic diagram of antenna layout

6.6. Power supply

- Recommended 3.3V voltage, peak current above 200mA.
- LDO power supply is recommended; If DC-DC is used, it is recommended to control the ripple within 30mV.
- DC-DC power supply circuit It is recommended to reserve a dynamic response capacitor to optimize output ripple when the load changes greatly.
- ESD devices are recommended for the 3.3V power port.

7. Storage conditions

Products sealed in moisture-proof bags should be stored in a non-condensing atmospheric environment of $<40\text{ }^{\circ}\text{C}/90\%\text{RH}$.

The module has a moisture sensitivity level MSL of level 3.

After the vacuum bag is unsealed, it must be used within 168 hours at $25\pm 5^{\circ}\text{C}/60\%\text{RH}$, otherwise it needs to be baked before it can be put on line again.

8. Flow welding curve diagram

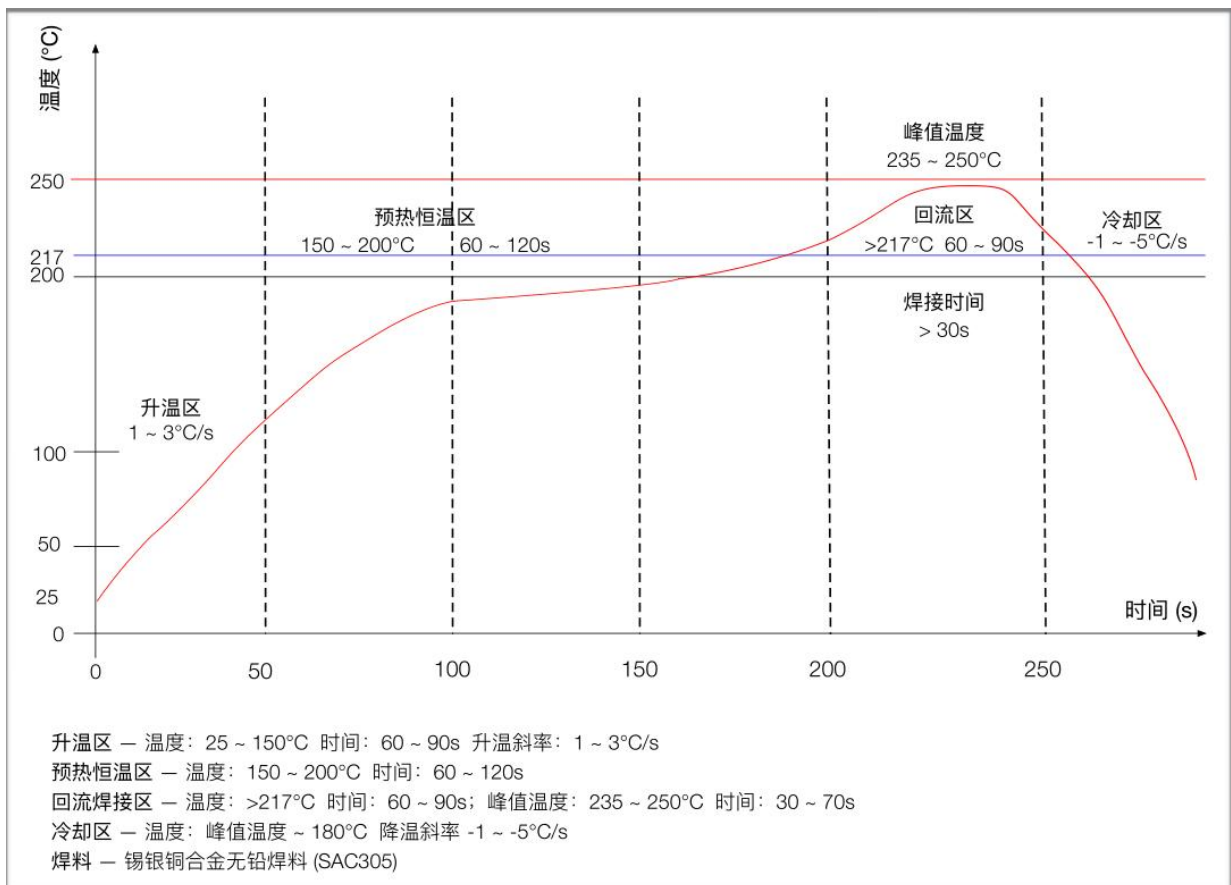


Figure 14 Flow welding diagram

9. Product packaging information

BU03 module adopts braid packaging, 950pcs/ disk. As shown in the picture below:



Figure 15 Package and packing diagram

10. Contact us

[Ai-Thinker official website](#)

[Office forum](#)

[Develop DOCS](#)

[LinkedIn](#)

[Tmall shop](#)

[Taobao shop](#)

[Alibaba shop](#)

[Technical support email: support@aithinker.com](mailto:support@aithinker.com)

[Domestic business cooperation: sales@aithinker.com](mailto:sales@aithinker.com)

[Overseas business cooperation: overseas@aithinker.com](mailto:overseas@aithinker.com)

Company Address: Room 403-405,408-410, Block C, Huafeng Smart Innovation Port, Gushu 2nd Road, Xixiang, Baoan District, Shenzhen.

Tel: +86-0755-29162996



Wechat mini program



WeChat official account

Disclaimer and copyright notice

The information in this article, including the URL address for reference, is subject to change without notice.

The document is provided "as is" without any guarantee responsibility, including any guarantee for merchantability, suitability for a specific purpose, or non-infringement, and any guarantee mentioned elsewhere in any proposal, specification or sample. This document does not bear any responsibility, including the responsibility for infringement of any patent rights arising from the use of the information in this document. This document does not grant any license for the use of intellectual property rights in estoppel or other ways, whether express or implied.

The test data obtained in the article are all obtained from Ai-Thinker's laboratory tests, and the actual results may vary slightly.

All brand names, trademarks and registered trademarks mentioned in this article are the property of their respective owners, and it is hereby declared.

The final interpretation right belongs to Shenzhen Ai-Thinker Technology Co.,Ltd.

Notice

Due to product version upgrades or other reasons, the contents of this manual may be changed.

Shenzhen Ai-Thinker Technology Co.,Ltd. reserves the right to modify the contents of this manual without any notice or prompt.

This manual is only used as a guide. Shenzhen Ai-Thinker Technology Co.,Ltd. makes every effort to provide accurate information in this manual. However, Shenzhen Ai-Thinker Technology Co.,Ltd. does not guarantee that the contents of the manual are completely free of errors. All statements and information in this manual and the suggestion does not constitute any express or implied guarantee.

Important Statement

Ai-Thinker provides technical and reliability data (including data sheets), design resources (including reference designs), application or other design advice, web tools, safety information, and other resources "as is" (hereinafter referred to as "these resources"). There is no warranty against defects and no warranties of any kind, express or implied, including, but not limited to, express or implied warranties of fitness, fitness for a particular purpose, or non-infringement of any third party intellectual property rights, are disclaimed. And specifically disclaims responsibility for any inevitable or incidental losses including but not limited to the application or the use of any products and circuits of our company.

Ai-Thinker reserves the right to change the information released in this document (including but not limited to indicators and product descriptions) and any involved products of the company without prior notice. This document automatically supersedes and replaces the previous version of the same document number. All information provided.

These resources are available to skilled developers designing with Ai-Thinker products. You will be solely responsible for the following: (1) Select the appropriate Ai-Thinker product for your application; (2) Design, verify, and operate your application and product throughout the life cycle; (3) Ensure that your application meets all Appropriate standards, codes and laws, and any other functional safety, information security, regulatory or other requirements.

Ai-Thinker authorizes you to use these resources only to develop applications for the Ai-Thinker products described in this resource. Without the permission of Ai-Thinker, no unit or individual may excerpt, copy part or all of these resources, and shall not spread them in any form. You have no right to use any other Ai-Thinker intellectual property or any third party intellectual property. You shall fully indemnify and in no event shall Ai-Thinker be liable to Ai-Thinker and its representatives for any claims, damages, costs, losses and liabilities arising out of the use of these resources.

Products offered by Ai-Thinker are subject to Ai-Thinker's Terms of Sale or other applicable terms accompanying Ai-Thinker products. Ai-Thinker's provision of these resources does not extend or otherwise alter the applicable warranties or warranty disclaimers for product releases.